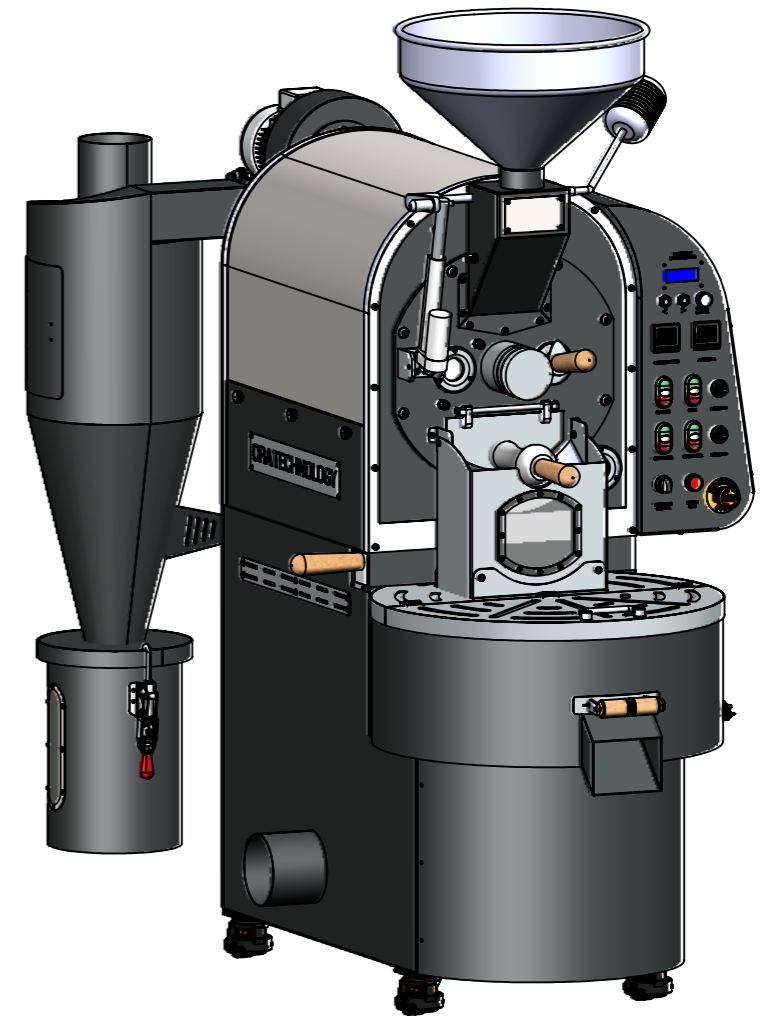
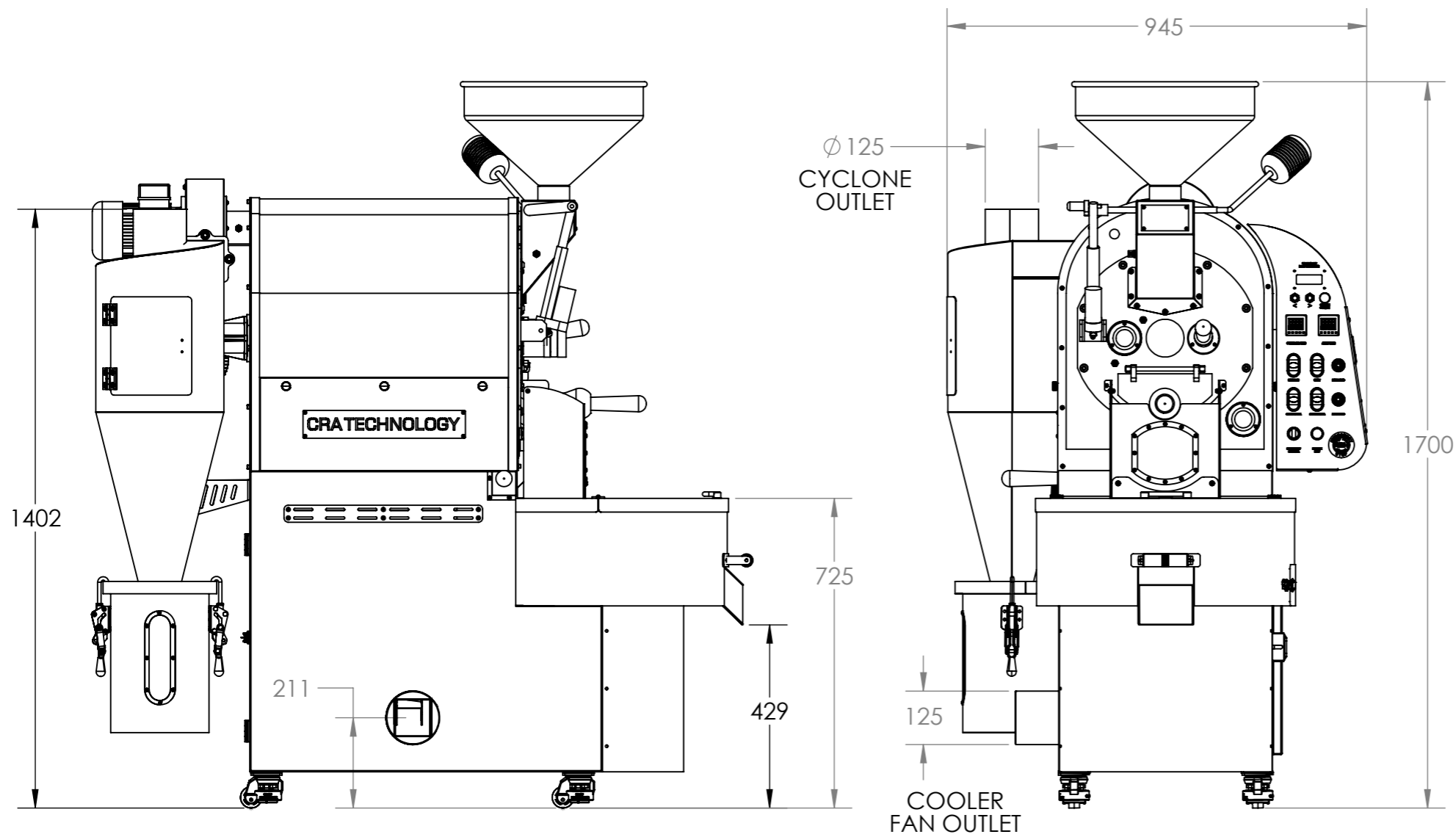


8 7 6 5 4 3 2 1

F

F

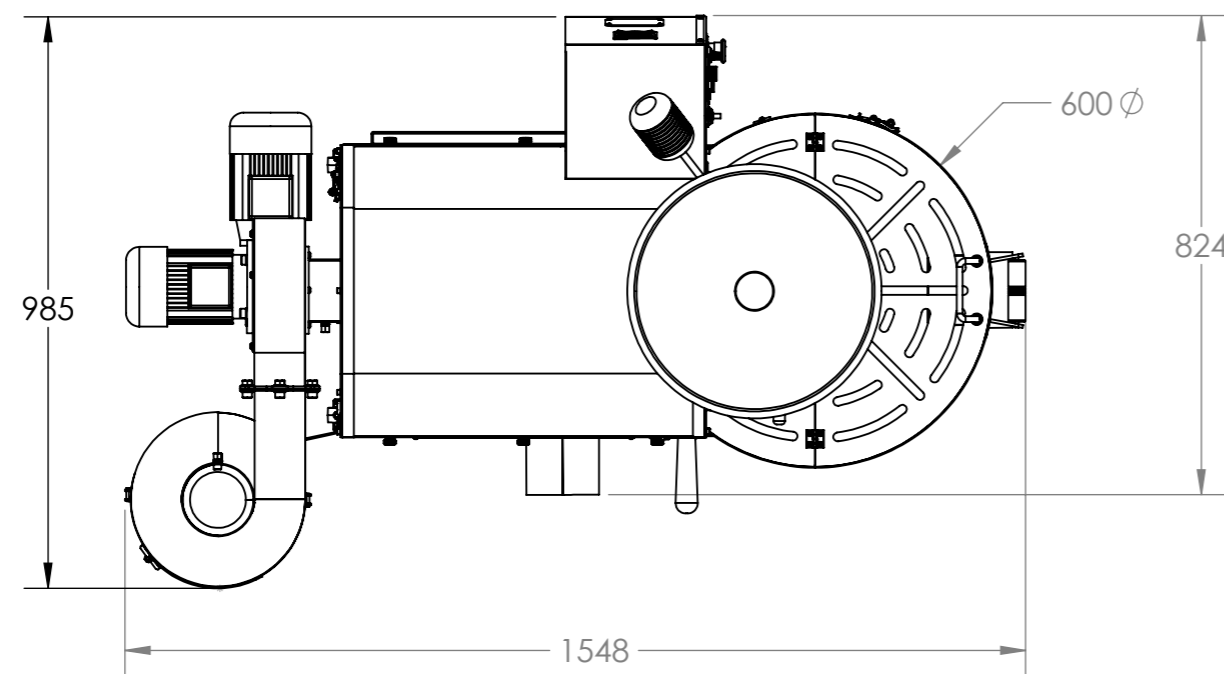


D

D

C

C



MINIMUM WIDTH WITHOUT CYCLONE FOR DOOR ENTRY

B

B

CRA TECHNOLOGY UNIT 5/8 TECHNOLOGY DRIVE ARUNDEL QLD AUST 4214 PH: +67 5529 0888 Em: sales@cra-technology.com.au			FINISH:	DEBURR AND BREAK SHARP EDGES	
NAME	SIGNATURE	DATE			
DRAWN	M. BEATTIE		2-2-2017		
CHK'D	M. BEATTIE		2-3-2017		
APPV'D	M. BEATTIE		2-3-2017		
MFG					
Q.A				MATERIAL:	DWG NO. PHANTOM 7KG_FLOOR LAYOUT
				WEIGHT:	A3
					SCALE:1:25
					SHEET 1 OF 2

A

A

8 7 6 5 4 3 2 1

8 7 6 5 4 3 2 1

F

F

E

E

D

D

C

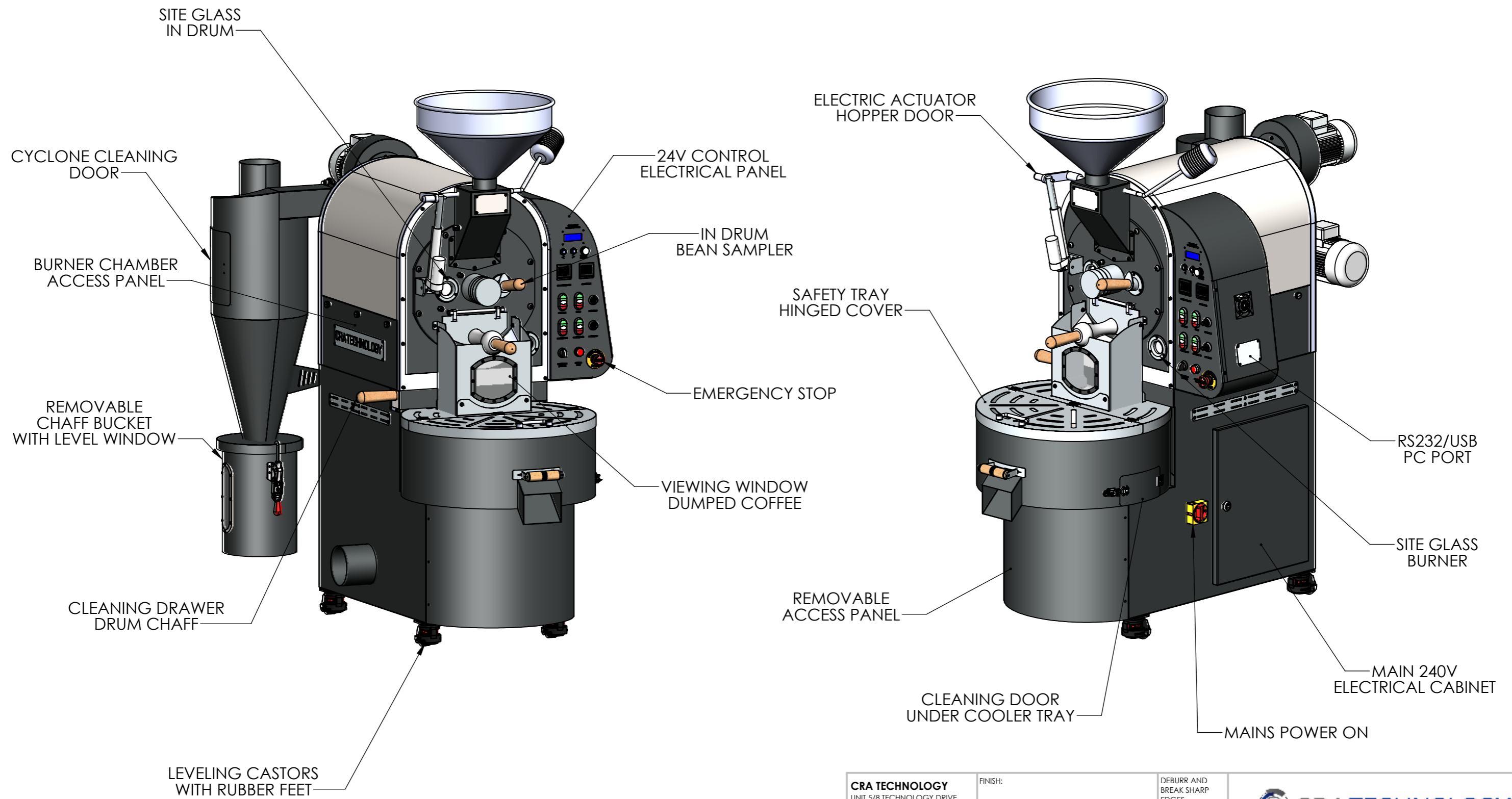
C


B

B

A

A



CRA TECHNOLOGY UNIT 5/8 TECHNOLOGY DRIVE ARUNDEL QLD AUST 4214 PH: +67 5529 0888 Em: sales@cra-technology.com.au			FINISH:	DEBURR AND BREAK SHARP EDGES	
NAME	SIGNATURE	DATE	TITLE:		
DRAWN	M. BEATTIE	2-2-2017	PHANTOM 7KG COFFEE ROASTER		
CHK'D	M. BEATTIE	2-3-2017			
APPV'D	M. BEATTIE	2-3-2017			
MFG			MATERIAL:		DWG NO.
Q.A			WEIGHT:		PHANTOM 7KG_FLOOR LAYOUT
					A3
					SCALE:1:25
					SHEET 2 OF 2

8 7 6 5 4 3 2 1